

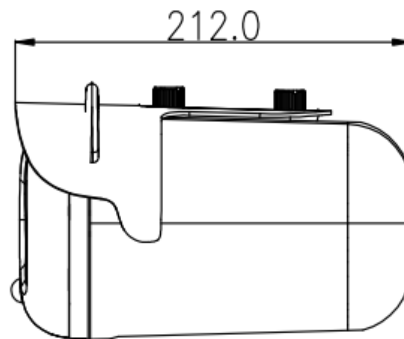
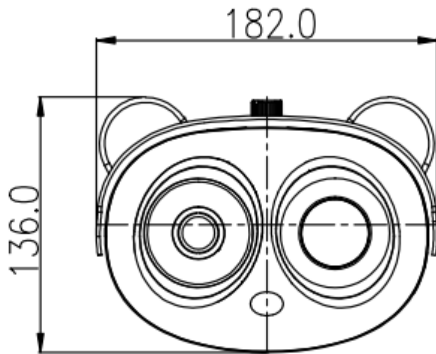
ZNT8-B0F8-TASX4

Key Features

- On-board Temp-detection Algorithm
- One IP Address Two Channels
- Effective Pixels 400x300
- Sensitivity $\leq 40\text{mK}$
- Thermal: 8mm Fixed lens, Visible: 2.7~12mm Motorized
- Lens Accuracy $\leq 0.3^{\circ}\text{C}$
- Body Detection, up to 30 Targets
- Response Time $\leq 30\text{ms}$
- 17 Color Control



Dimensions(mm)



Accessories

Wall bracket

Ceiling Bracket



SN-BK346

SN-BK350

Thermal Camera	
Detector Type	Uncooled IRFPA Microbolometer
Effective Pixels	400(H) × 300(V)
Pixel Size	17µm
Thermal Sensitivity (NETD)	≤40mK @F1.0, 300K
Spectral Range	8~14µm
Image Setting	Polarity LUT/ DVE/ Mirror/ FCC/ /3D DNR Brightness/Contrast/ ROI
Color Palettes	Black-Heat /White-Heat/Rainbow/Iron-Red up to 17 modes
Thermal Lens	
Lens Type	Fixed
Focus Control	Manual Focus
Focal Length	8mm
F No.	F1.0
Angle of View	H: 46°, V:35.3°
Visible Camera	
Image Sensor	1/2.8" Sony CMOS
Effective Resolution	1920(H)×1080(V)
Shutter Speed	1/5 ~ 1/20,000s
Wide Dynamic Range	True WDR 120dB
Min. Illumination	Color: 0.01Lux @(F1.2, AGC ON) B/W: 0.001Lux @(F1.2, AGC ON)
S/N Ratio	More than 55dB
Focal Length	2.7 ~ 12mm
Max Aperture	F1.6~ F2.9
Angle of View	105°~ 32°
Focus Control	Motorized
Video and Audio	
Compression	H.265, H.264, MJPEG
Frame Rate	Main Stream: Thermal: D1 @25/30fps Visible: 1920 × 1080/1280 × 720 @25/30fps Sub Stream: Thermal: CIF @25/30fps Visible: D1/VGA @25/30fps
Bit Rate Control	CBR/VBR
Bit Rate	Main Stream: Thermal: 100Kbps~6Mbps Visible: 200Kbps~12Mbps Sub Stream: Thermal: 10Kbps~1.5Mbps Visible: 10Kbps~6Mbps
Region of Interest	Off / On (8 Zone, Rectangle)
Digital Zoom	16x
Mirror	Support
Defog	Support
Motion Detection	Support
Privacy Masking	Off / On (4 Area, Rectangle)
DVE Image Enhance	Support
Audio Compression	G.711, AMR, RAW_PCM (Optional)

Intelligence	
Intelligent Functions	Motion detection, Disk alarm, I/O alarm, Temperature alarm
IVS	Smart Body Detection, Perimeter ,Single Virtual Fences ,Double Virtual Fences ,Object Left ,Object Removed
Temperature Detection	
Detection Mode	Body temperature monitoring
Detection Preset	Max 30 goals
Temperature Alarm	Over temperature alarm, Temperature difference alarm
Accuracy	≤ 0.3 °C (Emission rate, distance, ambient temperature, etc.) with blackbody Detection Distance: 3~5m (4m recommended) 、 Working Environment: Avoid the interference of wind, sunshine, high temperature and reflective objects, indoor is recommended
Response Time	≤30ms
Theory of temperature measurement range	-20 °C ~ 60 °C (-4°F ~ 140°F)
Temperature display mode	Temperature target >5°C, Display absolute temperature value; Temperature target ≤5°C, Display relative temperature value (temperature difference DEV = highest value - average)
Network	
Ethernet	RJ-45 (10/100Base-T)
Protocols:	IPv4/IPv6 ,HTTP,RTSP/RTP/RTCP, TCP/UDP, DHCP, DNS, PPPOE, SMTP, SIP ,802.1x
Interoperability	ONVIF, CGI, SDK
Streaming Method	Unicast
Max. User Access	10 Users
Edge Storage	Local PC for instant recording Micro SD card 128GB
Web Viewer	<IE11, Chrome, Firefox
Web Language	English, Chinese, Polish, Italian, Portuguese, Spanish, Russian, French, Czech, Hungarian
Interface	
Ethernet	1 Ethernet (10/100 Base-T) RJ-45 Connector
Audio Interface	1ch Audio In,1ch Audio Out
Alarm	2ch Alarm In,2ch Alarm Out
RS485	Support
BNC Output	N/A
Reset Button	Support (Built-in)
General	
Power Supply	DC12V/POE (IEEE 802.3af)
Power Consumption	Max 10W
Operating Temperature	-30°C~60°C(-22°F~140°F)
Storage Conditions	0~ 90% RH
Certifications	CE /FCC
Ingress Protection	IP66
Casing	Metal
Dimensions	212×182×136mm
Net Weight	2Kg